

## 1U 24 PORTS SC SX/LC DX SLIDING PATCH PANEL – MP2PP01



Browse on Mobile

 [Browse on Web](#)

NEXCONEC<sup>®</sup> 1U Sliding Patch Panel accepts 24 adapters **SC Simplex/LC Duplex** within 1U space (Up to 48FO in LC). The panel can be pre-loaded completely with the required adapter plates and pigtails.

The unique panel design incorporates a removable see-through lid & a transparent hinged drop-down door, providing a smooth slide mechanism facilitated by effortless lock-and-release plastic latches on two sides. This design enables it to fully extend when sliding out. Additionally, it ensures easy access & simplifies labelling, maintenance routines and installation activities.

### FEATURES

- ✓ Up to 48FO in LC on 1U
- ✓ Standard 19" Rack mounting type
- ✓ High durability & light weight PC & PC+ABS material
- ✓ 4 Rear Cable entries
- ✓ Accepts Indoor and Outdoor Pre-terminated cables and conventional splicing
- ✓ Transparent lid for easier maintenance and verification
- ✓ Enhanced labelling on the front door providing patch cords protection and better identification
- ✓ Available in shuttered dust proof LC/SC adapters
- ✓ Simple and easy installation with integrated fiber routing
- ✓ RoHS, REACH SvHC

## APPLICATIONS

- ✓ Data centers, Premises installations, Enterprise networks
- ✓ Ethernet, Fiber Channel, ATM, LAN, MAN and WAN
- ✓ Data communication and telecommunication networks
- ✓ Indoor applications

## PANEL SPECIFICATIONS

Parameters	Value
<b>Mounting Type</b>	Rack 19"
<b>Opening Type</b>	Sliding Tray
<b>Access Type</b>	Front and Rear access
<b>Front Cable Management</b>	Front manager with Hinged transparent drop-down door
<b>Cable Entry Direction</b>	Rear
<b>Rear Cable Management</b>	4 Cable Entries (OD: 2x PG13.5 and 2x PG16 mm)
<b>Slot Type</b>	SC Simplex/ LC Duplex Footprint
<b>Number of Ports</b>	24 Ports
<b>Fiber Capacity</b>	24FO in SC, 48FO in LC
<b>Height Unit</b>	1U
<b>Dimensions (W x D x H in MM)</b>	482 x 290.1 x 43.5 mm
<b>Material</b>	PC & PC+ABS
<b>Housing Color</b>	Black or [Grey (RAL 7035) Optional]
<b>Compliance</b>	RoHS, REACH SvHC
<b>Application</b>	Indoor IP20
<b>Lockable</b>	No
<b>Net Weight</b>	1.5 Kg


## PIGTAIL SPECIFICATIONS (SINGLE FERRULE CONNECTOR)

Parameters	IL – Max	IL – Typical	RL (PC/APC)
SM – Standard	≤ 0.30 dB	≤ 0.20 dB	> 55/65 dB
SM – Premium	≤ 0.15 dB	≤ 0.12 dB	> 55/65 dB
MM – Standard	≤ 0.30 dB	≤ 0.18 dB	> 28 dB
MM – Premium	≤ 0.15 dB	≤ 0.08 dB	> 28 dB

## PIGTAIL BUFFER CHARACTERISTICS

Parameters	Unit	Value (Simplex)
Nominal Buffer Diameter	μm	900 +50/-50
Crush Resistance	N/100mm	500
Maximum Tensile Load	N	6
Minimum Bending Radius	mm	15
Operating Temperature	°C	-20 ~ +60

## ORDER INFORMATION

Product	Part Number	Product Description
	<b>MP2PP01*</b>	1U 24 Ports SC Simplex/LC Duplex Sliding Patch Panel (Black)

\* Add "G" at the end of Part Number for Telecom panels in Grey color. (Example: MP2PP01G)  
Included kit in the package: 1x Gland PG13.5, 1x Cable Tie, 4x Cage Nuts & Screws, 4x Splice Holders.

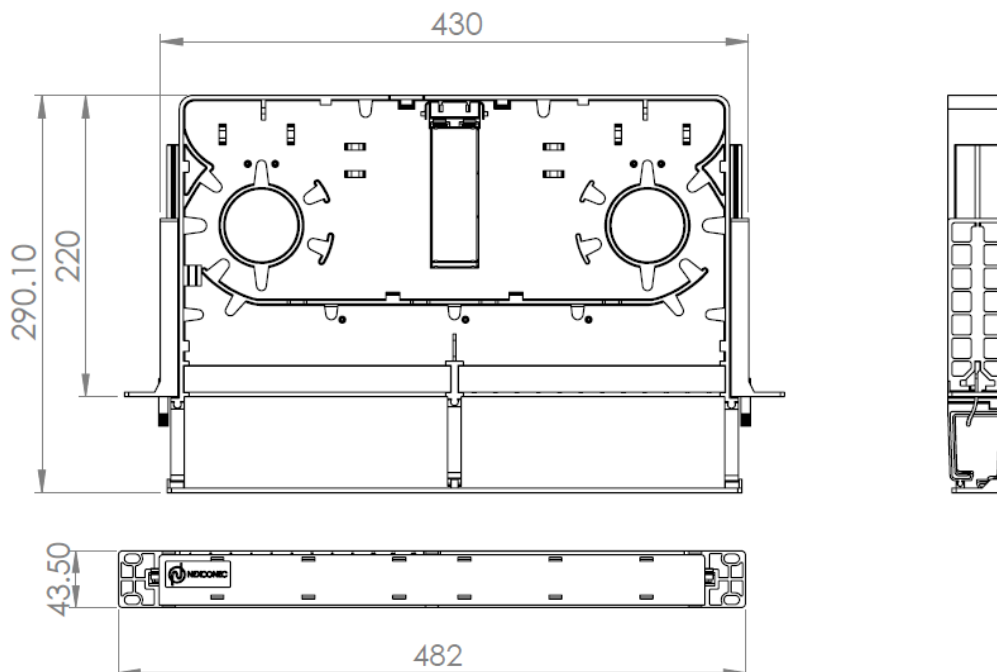
## CUSTOM PANEL KIT CONFIGURATOR

MP2PP01	1	2	3	4
---------	---	---	---	---

MP2PP01	1	Adapter Type	2	Adapter Count	3	Pigtails Type		4	Pigtails Loading Type	
	LL	LC DX Blue	-	None	-	No Pigtails	-	Tight Buffer	-	FOTAG EIA/TIA 598 (1 Blue/ 2 Orange etc.)
	LN	LC DX Green	6	6 Adapters	S1A1	SC/UPC SMF OS2	E	Easystrip	FT	France Telecom (1 Red, 2 Blue, etc.)
	LQ	LC DX Aqua	12	12 Adapters	S2A1	SC/APC SMF OS2			PK	Included in pack, Uninstalled
	LV	LC DX Erika	24	24 Adapters	L1A1	LC/UPC SMF OS2				
	SL	SC SX Blue			L2A1	LC/APC SMF OS2				
	SN	SC SX Green			S1O3	SC/UPC MMF OM3				
	SQ	SC SX Aqua			S1O4	SC/UPC MMF OM4				
	SV	SC SX Erika			L1O3	LC/UPC MMF OM3				
					L1O4	LC/UPC MMF OM4				

\*Ask sales for other products and configuration not shown. [sales@nexconec.com](mailto:sales@nexconec.com)

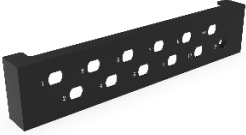



## TECHNICAL DRAWING



## RELATED PRODUCTS AND ACCESSORIES

Product	Part Number	Product Description
	<b>MP2PL01*</b>	MP2 Adapter Plate 12 LC DX Blue (Loaded)
	<b>MP2PL02</b>	MP2 Adapter Plate 12 LC DX Green (Loaded)
	<b>MP2PL03</b>	MP2 Adapter Plate 12 LC DX Aqua (Loaded)
	<b>MP2PL03V</b>	MP2 Adapter Plate 12 LC DX Erika Violet (Loaded)
	<b>MP2PL04</b>	MP2 Adapter Plate 12 SC SX Blue (Loaded)
	<b>MP2PL05</b>	MP2 Adapter Plate 12 SC SX Green (Loaded)
	<b>MP2PL06</b>	MP2 Adapter Plate 12 SC SX Aqua (Loaded)
	<b>MP2PL06V</b>	MP2 Adapter Plate 12 SC SX Erika Violet (Loaded)
	<b>MP2PL07</b>	MP2 Adapter Plate 12 SC DX Blue (Loaded)

	<b>MP2PL08</b>	MP2 Adapter Plate 12 SC DX Green (Loaded)
	<b>MP2PL09</b>	MP2 Adapter Plate 12 SC DX Aqua (Loaded)
	<b>MP2PL09V</b>	MP2 Adapter Plate 12 SC DX Erika Violet (Loaded)
	<b>MP2PL10</b>	MP2 Adapter Plate 12 LC QD Blue (Loaded)
	<b>MP2PL11</b>	MP2 Adapter Plate 12 LC QD Green (Loaded)
	<b>MP2PL12</b>	MP2 Adapter Plate 12 LC QD Aqua (Loaded)
	<b>MP2PL12V</b>	MP2 Adapter Plate 12 LC QD Erika Violet (Loaded)
	<b>MP2PL13</b>	MP2 Adapter Plate 12 FC SX (Loaded)
	<b>MP2PL14</b>	MP2 Adapter Plate 12 ST SX (Loaded)
	<b>MP2PLS</b>	MP2 Adapter Plate 12 SC SX/LC DX (Unloaded)
	<b>MP2PLD</b>	MP2 Adapter Plate 12 SC DX/LC QD (Unloaded)

	<p><b>MP2PLF</b></p>	<p>MP2 Adapter Plate 12 FC/ST SX (Unloaded)</p>
	<p><b>MP2PL00</b></p>	<p>MP2 Blank Plate</p>
	<p><b>MP2BP01</b></p>	<p>MP2 Blank Plug SC SX/LC DX</p>
	<p><b>MP2BP02</b></p>	<p>MP2 Blank Plug SC DX/LC QD</p>

\* Add "G" at the end of Part Number for Telecom adapter plates in Grey color. (Example: MP2PL01G)